

Provides an encoder output.

The PT150 is a digital version of the reliable PT101 Position Transducer. Standard measurement ranges are from 0-2 to 0-500 inches. A bi-directional shaft encoder provides a TTL-compatible output which is used for display, feedback for servo systems, input for programmable controllers and other industrial applications. Outputs are squared quadrature, delayed 90 phase degrees, depending on whether the cable is extending or retracting. Output counts of 250/inch (100/cm) or 100/inch (40/cm) are available, depending on range.

FEATURES:

- Digital output
- 0.05% accuracy standard
- Resolutions to 0.004 inch or 0.10mm
- TTL compatible
- Metric ranges available
- Other encoder outputs available

Measurement Range	Output	Resolution	Approx. Cable Tension	Max. Cable Acceleration	
Inches	Pulses/Inch	Inches	Ounces	Ext.	G's Ret.
50 in.	250	0.004	14	13	9
150 in.	100	0.010	25	7	5
500 in.	100	0.010	16	5	3
MM	Pulses/MM	MM	Newtons		
1250 mm	10	0.10	3	13	9
2500 mm	5	0.20	8	7	5
10000 mm	5	0.20	5	5	3

Specifications:

GENERAL

Range See Table
 Case Material Aluminum Alloy
 Electrical Connector¹ MS3102E-14S-6P

ELECTRICAL

Input Voltage² 5.0 ±0.5 VDC
 Input Current 130 mA max.
 Output³
 High (source) 2.4 volt min. @ 0.4 mA
 Low (sink) 0.4 volt max. @ 16.00 mA

PERFORMANCE

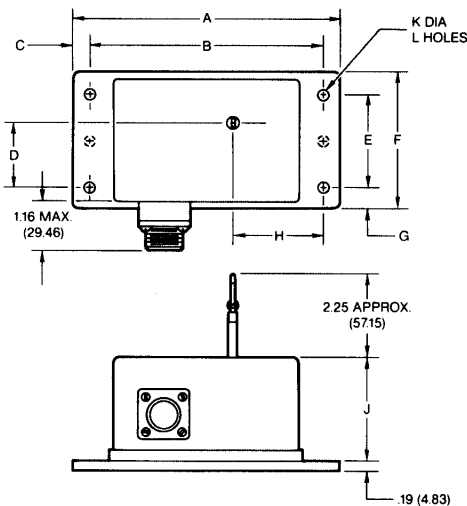
Accuracy ±0.05% F.S. ±1 count
 Resolution⁴ See Table
 Phase Accuracy ±30° max.

ENVIRONMENTAL

Temperature Range 0° F to 200° F
 Humidity up to 90% R.H.
 Vibration up to 10 G's to 2000 Hz.

NOTES:

1. Mating connector supplied. Other connectors optional.
2. 5 VDC standard, consult factory for other voltages.
3. TTL compatible.
4. Resolution shown can be improved by a factor of 2 or 4 using external logic.



	0-50 INCHES 0-1250 MM	0-150 INCHES 0-2500 MM	0-500 INCHES 0-10,000 MM
A	5.25(133.3)	8.00(203.2)	8.38(212.9)
B	4.75(120.6)	7.38(187.4)	7.75(196.8)
C	.25(6.35)	.31(7.87)	.31(7.87)
D	2.02(51.31)	3.10(78.74)	7.28(184.9)
E	2.38(60.45)	3.00(76.20)	10.00(254.0)
F	3.25(82.55)	4.25(107.9)	11.25(285.7)
G	.44(11.18)	.62(15.75)	.62(15.75)
H	1.87(47.50)	3.69(93.73)	*
J	2.66(67.56)	3.79(96.27)	4.16(105.6)
K	.20(5.08)	.25(6.35)	.25(6.35)
L	4 HOLES	4 HOLES	6 HOLES

A	+5VDC EXCITATION
B	EXCITATION RET./OUTPUT COMMON
C	OUTPUT "B"
D	OUTPUT "A"
E	N.C.
F	N.C.

CONNECTOR

* 10000 mm: H = 3.90(99.06)
 500 inches: H = 3.57(90.68)

ORDER INFORMATION

MODEL NO. RANGE (IN.)
 PT150(E) 50-150-500 IN.
 (1250-2500-10,000 MM)



TRANSDUCER PRODUCTS, INC
20630 Plummer St.
Chatsworth, CA 91311
Phone: 800-423-5483 / 818-701-2750
Fax: 818-701-2799

PRICE LIST

PT150--11C-DE10

Effective : Jul 28, 2006
Produced: 7/28/2006
PT150-Ordering Codes.xls
PT150

<input type="text"/> = Full Stroke Range	0050 = 50 inches 1250 = 1250 mm 0150 = 150 inches 2500 = 2500 mm
A = 1	
B = 1	
C = Cable Exit	1 = top exit 2, 3, 4 = front exit, rear exit and bottom exit
D = Output Driver	1 = (replaced by 5) 2 = (replaced by 6) 3 = 10.8 - 26.4 VDC (open collector) 4 = (replaced by 6) 5 = 4.5 - 13.2 VDC TTL & CMOS compatible (standard) 6 = 10.8 - 26.4 VDC (open collector with pullup resistors)
E = Resolution	1 = standard resolution 2 = 2 times resolution 3 = 2.5 times resolution 5 = 0.1 times resolution
F = Electrical Connection	1 = 6-pin plastic connector and mating plug